

TECHNICAL CATALOGUE

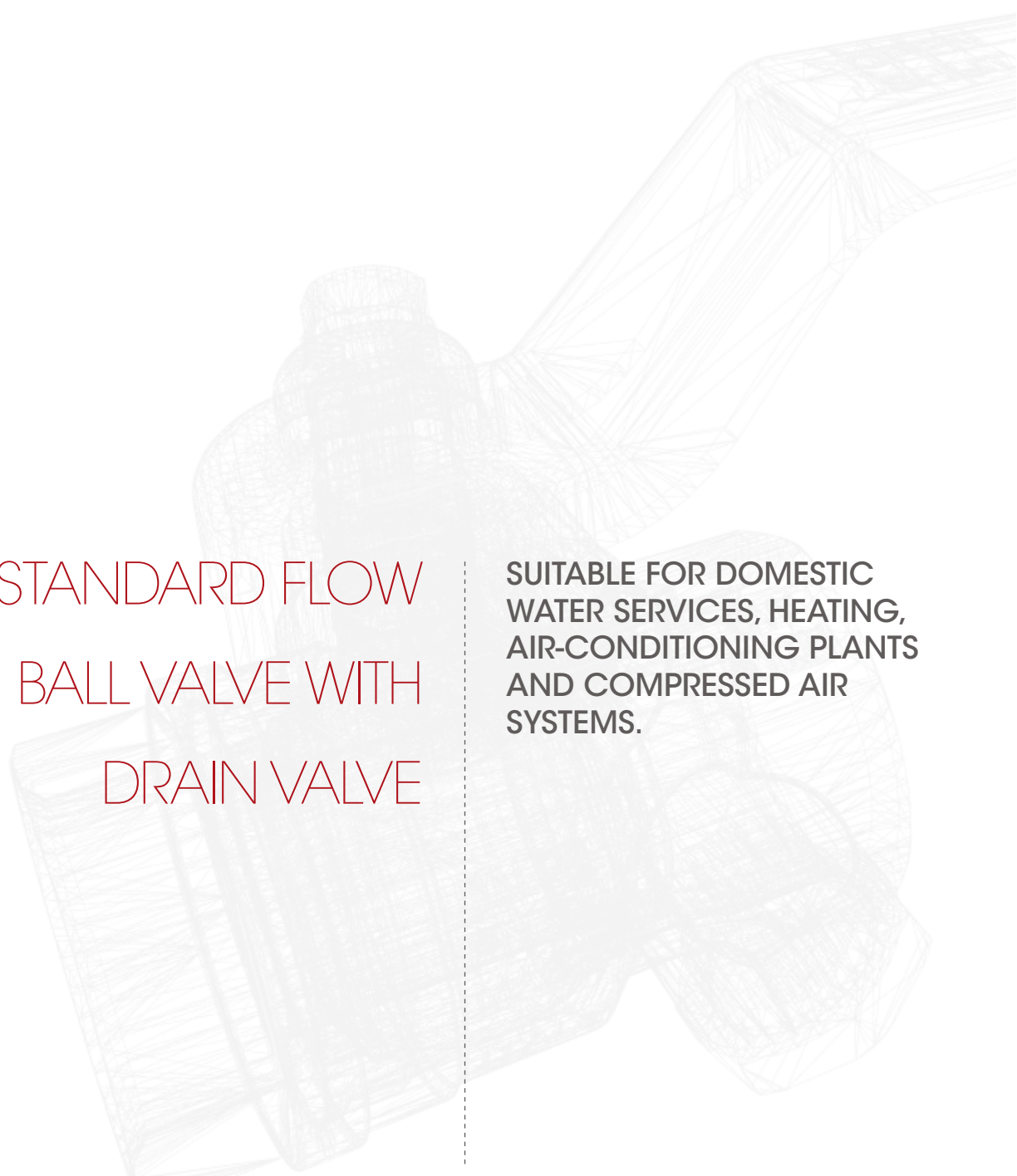
STANDARD FLOW BALL VALVE
WITH DRAIN VALVE ART.115



ITAP SpA, founded in Lumezzane (Brescia) in 1972, is currently one of the leading production companies in Italy of valves, fittings and distribution manifolds for plumbing and heating systems. Thanks to fully automated production processes, with 72 tooling machines and 51 assembly lines, we are able to produce 200,000 pieces per day. Our innate pursuit for innovation and observance of technical regulations is supported by the company certification ISO 9001: 2008. The company has always considered its focus on quality as the main tool to obtain significant business results: today ITAP SpA is proud to offer products bearing the approval of numerous international certifying bodies.

STANDARD FLOW BALL VALVE WITH DRAIN VALVE: ART. 115





STANDARD FLOW
BALL VALVE WITH
DRAIN VALVE

SUITABLE FOR DOMESTIC
WATER SERVICES, HEATING,
AIR-CONDITIONING PLANTS
AND COMPRESSED AIR
SYSTEMS.

115

STANDARD FLOW BALL VALVE WITH DRAIN VALVE

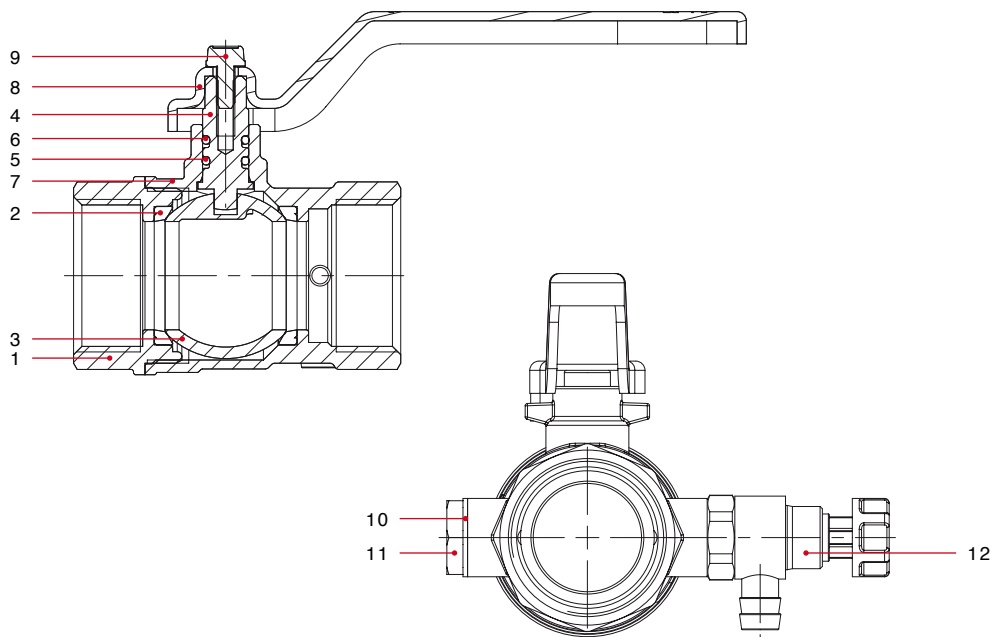


SIZE	PRESSURE	CODE	PACKING
1/2" (DN 15)	25bar/362,5psi	1150012	14/112
3/4" (DN 20)	25bar/362,5psi	1150034	8/64
1" (DN 25)	25bar/362,5psi	1150100	8/48
1"1/4 (DN 32)	20bar/290psi	1150114	4/32
1"1/2 (DN 40)	20bar/290psi	1150112	4/24
2" (DN 50)	20bar/290psi	1150200	2/18

TECHNICAL SPECIFICATIONS

Female/female threads.
 Lever handle in steel.
 Body in nickel-plated brass.
 Minimum and maximum working temperatures:
 -20°C, 110°C in absence of steam.
 Threads: ISO228
 (equivalent to DIN EN ISO 228 and BS EN ISO 228).

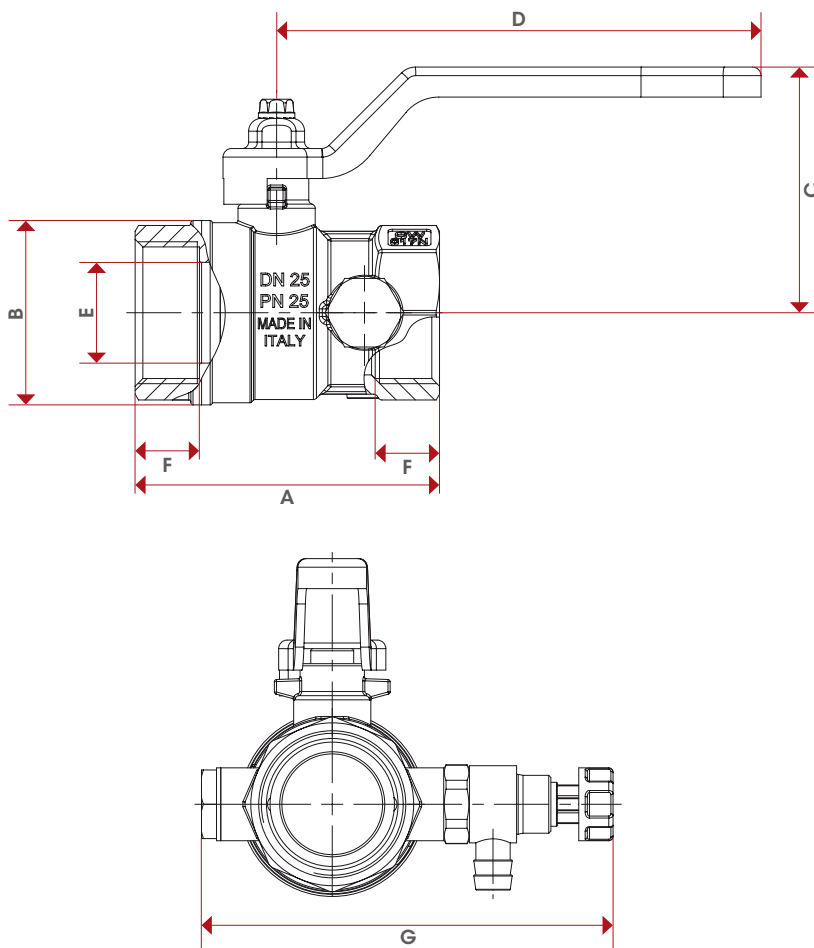
MATERIALS



POS.	DESCRIPTION	N.	MATERIAL
1	End adapter	1	Nickel-plated brass CW617N
2	Seat	2	P.T.F.E.
3	Ball	1	Chrome-plated brass CW617N
4	Stem	1	Brass CW614N
5	O-Rng	1	NBR
6	O-Rng	1	VITON®
7	Body	1	Nickel-plated brass CW617N
8	Lever handle	1	Zinc-plated and varnished steel Fe P04
9	Screw	1	CB4 FF (C34)
10	Washer	1	Aluminium
11	Plug	1	Nickel-plated brass CW614N
12	Drain valve	1	Brass CW617N



OVERALL DIMENSIONS



	1/2"	3/4"	1"	1"1/4	1"1/2	2"
DN	15	20	25	32	40	50
A	53	58	71	81	93	108
B	29	36	43	53	63	79
C	40	54	57	73	78	94
D	80	113	113	138	138	158
E	14	18,5	23,5	30	37	47
F	12	12	15	16	18	19
G	84	89	96	104	111	124
Kg/cm ² bar	25	25	25	20	20	20
LBS - psi	362,5	362,5	362,5	290	290	290

CERTIFICATIONS





ITAP S.p.A.
Via Ruca 19
25065 Lumezzane
Brescia (ITALIA)
Tel 030 89270
Fax 030 8921990
www.itap.it - info@itap.it