

TECHNICAL CATALOGUE

WASHING MACHINE VALVES



ITAP SpA, founded in Lumezzane (Brescia) in 1972, is currently one of the leading production companies in Italy of valves, fittings and distribution manifolds for plumbing and heating systems. Thanks to fully automated production processes, with 72 tooling machines and 51 assembly lines, we are able to produce 200,000 pieces per day. Our innate pursuit for innovation and observance of technical regulations is supported by the company certification ISO 9001: 2008. The company has always considered its focus on quality as the main tool to obtain significant business results: today ITAP SpA is proud to offer products bearing the approval of numerous international certifying bodies.



WASHING MACHINE VALVES





WASHING
MACHINE
VALVES

220

BIBCOCK WITH WASHING MACHINE VALVE

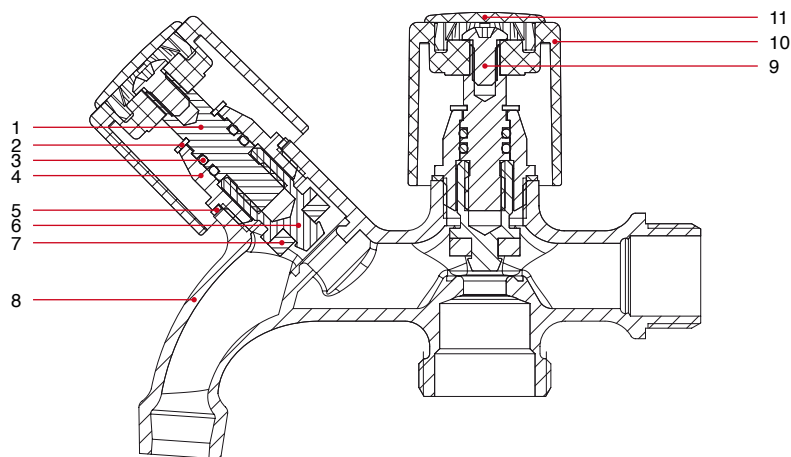


SIZE	PRESSURE	CODE	PACKING
1/2" (DN 15)	8bar/116psi	2200012U	12/84

TECHNICAL SPECIFICATIONS

Available size: 1/2"x3/4".
 Male thread for washing machine.
 Body in chrome-plated brass.
 Minimum and maximum working temperatures: 0°C, 80°C.
 Threads ISO228
 (equivalent to DIN EN ISO 228 and BS EN ISO 228).

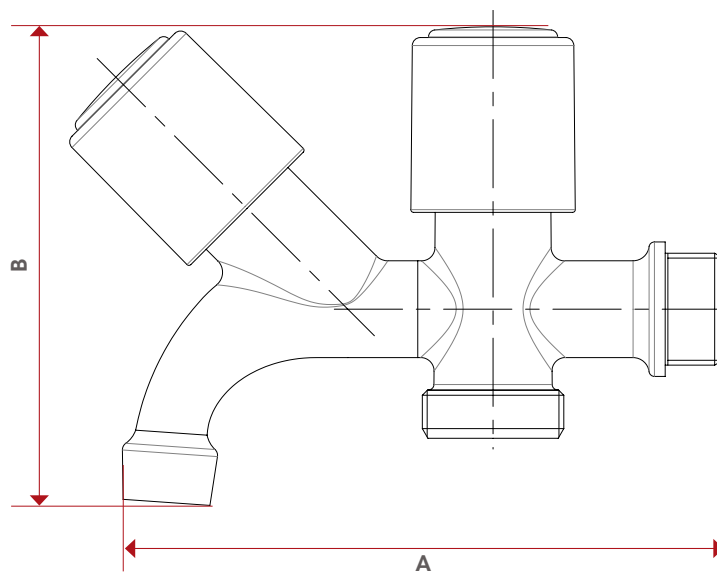
MATERIALS



POS.	DESCRIPTION	N.	MATERIAL
1	Pin	2	Brass CW614N
2	Ring	2	Steel AISI 302
3	O-Ring	4	NBR
4	Plug	2	Brass CW614N
5	Washer	2	Aluminium
6	Screw	2	Brass CW614N
7	Washer	2	NBR
8	Body	1	Chrome-plated brass CB753S
9	Screw	2	Steel Fe
10	Handle	2	ABS
11	Clip	2	ABS



OVERALL
DIMENSIONS



	1/2"
DN	15
A	121,7
B	88
Kg/cm ² bar	8
LBS - psi	116

CERTIFICATIONS



225

HORIZONTAL WASHING
MACHINE VALVE,
HEAVY PATTERN

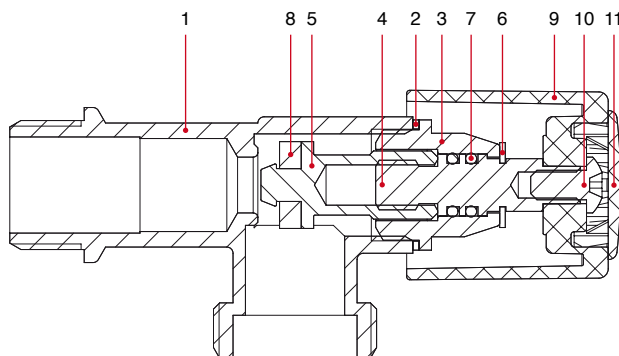


SIZE	PRESSURE	CODE	PACKING
1/2" (DN 15)	16bar/232psi	2250012	12/156

TECHNICAL SPECIFICATIONS

Available size: 1/2"x3/4".
Male thread for washing machine.
Body in chrome-plated brass.
Minimum and maximum working temperatures: 0°C, 80°C.
Threads ISO228
(equivalent to DIN EN ISO 228 and BS EN ISO 228).

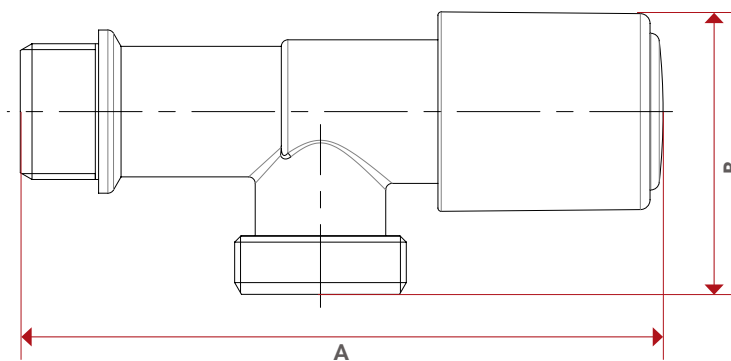
MATERIALS



POS.	DESCRIPTION	N.	MATERIAL
1	Body	1	Chrome-plated brass CW617N
2	Washer	1	Aluminium
3	Plug	1	Brass CW614N
4	Pin	1	Brass CW614N
5	Screw	1	Brass CW614N
6	Ring	1	Stainless steel AISI 302
7	O-Ring	2	NBR
8	Washer	1	NBR
9	Handle	1	ABS
10	Screw	1	Steel Fe
11	Clip	1	ABS



OVERALL
DIMENSIONS



	1/2"
DN	15
A	98,5
B	43,3
Kg/cm ² bar	16
LBS - psi	232

CERTIFICATIONS



226

HORIZONTAL WASHING MACHINE VALVE

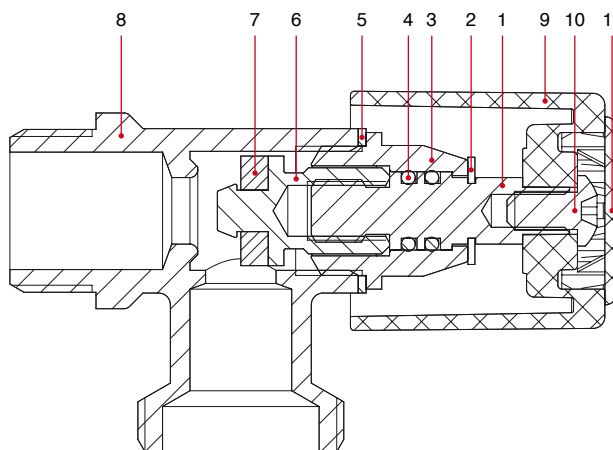


SIZE	PRESSURE	CODE	PACKING
1/2" (DN 15)	16bar/232psi	2260012	12/120

TECHNICAL SPECIFICATIONS

Available size: 1/2"x3/4".
 Male thread for washing machine.
 Body in chrome-plated brass.
 Minimum and maximum working temperatures: 0°C, 80°C.
 Threads ISO228
 (equivalent to DIN EN ISO 228 and BS EN ISO 228).

MATERIALS



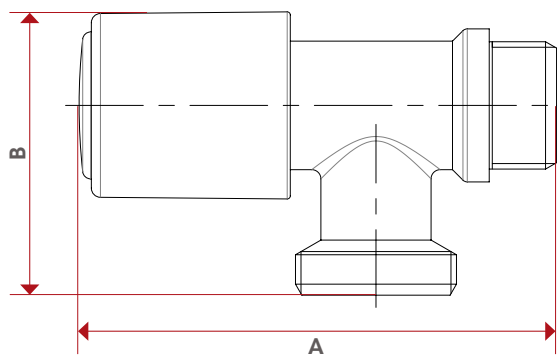
POS.	DESCRIPTION	N.	MATERIAL
1	Pin	1	Brass CW614N
2	Ring	1	Stainless steel AISI 302
3	Plug	1	Brass CW614N
4	O-Ring	2	NBR
5	Washer	1	Aluminium
6	Screw	1	Brass CW614N
7	Washer	1	NBR
8	Body	1	Chrome-plated brass CW617N
9	Handle	1	ABS
10	Screw	1	Steel Fe
11	Clip	1	ABS





TEC

OVERALL DIMENSIONS



	1/2"
DN	15
A	78
B	46,3
Kg/cm ² bar	16
LBS - psi	232

CERTIFICATIONS



ART. 226

228

INCLINED WASHING MACHINE VALVE



SIZE	PRESSURE	CODE	PACKING
1/2" (DN 15)	16bar/232psi	2280012	12/120

TECHNICAL SPECIFICATIONS

Available size: 1/2"x3/4".

Male thread for washing machine.

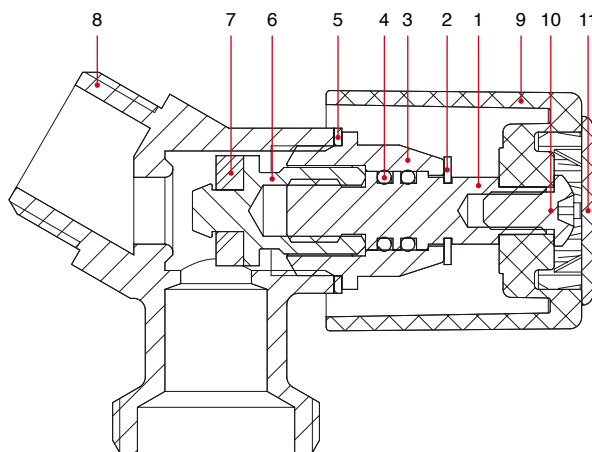
Body in chrome-plated brass.

Minimum and maximum working temperatures: 0°C, 80°C.

Threads ISO228

(equivalent to DIN EN ISO 228 and BS EN ISO 228).

MATERIALS



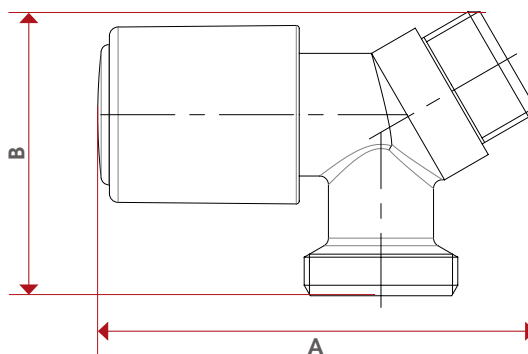
POS.	DESCRIPTION	N.	MATERIAL
1	Pin	1	Brass CW614N
2	Ring	1	Stainless steel AISI 302
3	Plug	1	Brass CW614N
4	O-Ring	2	NBR
5	Washer	1	Aluminium
6	Screw	1	Brass CW614N
7	Washer	1	NBR
8	Body	1	Chrome-plated brass CW617N
9	Handle	1	ABS
10	Screw	1	Steel Fe
11	Clip	1	ABS





TEC

OVERALL DIMENSIONS



	1/2"
DN	15
A	74,8
B	46,3
Kg/cm ² bar	16
LBS - psi	232

CERTIFICATIONS



ART. 228

230

ONE-PIECE SPACER FOR FAUCETS

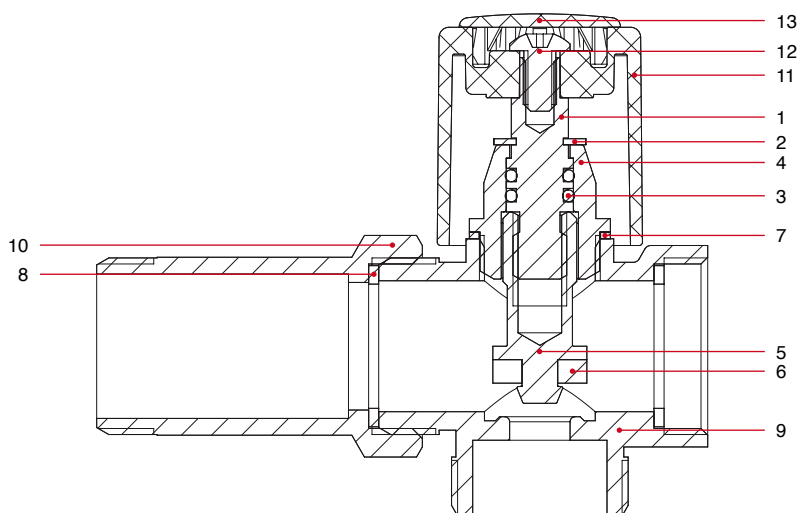


SIZE	PRESSURE	CODE	PACKING
3/4" (DN 20)	16bar/232psi	2300034C	6/78

TECHNICAL SPECIFICATIONS

Available size 3/4"x3/4"x3/4".
 Male thread for washing machine.
 Body in chrome-plated brass.
 Minimum and maximum working temperatures: 0°C, 80°C.
 Threads ISO228
 (equivalent to DIN EN ISO 228 and BS EN ISO 228).

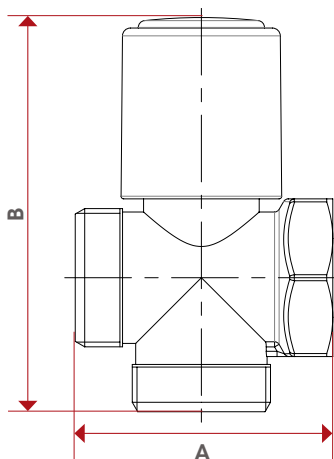
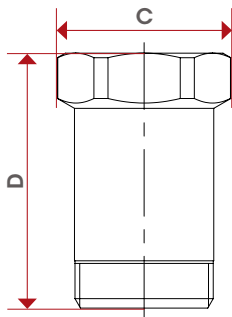
MATERIALS



POS.	DESCRIPTION	N.	MATERIAL
1	Pin	1	Brass CW614N
2	Ring	1	Stainles steel AISI 302
3	O-Ring	2	NBR
4	Plug	1	Brass CW614N
5	Screw	1	Brass CW614N
6	Washer	1	NBR
7	Washer	1	Aluminium
8	Washer	2	Fiber
9	Body	1	Chrome-plated brass CW617N
10	Extension	1	Chrome-plated brass CW617N
11	Handle	1	ABS
12	Screw	1	Steel Fe
13	Clip	1	ABS



OVERALL DIMENSIONS



	1/2"
DN	15
A	49
B	75
C	33
D	48,5
Kg/cm ² bar	16
LBS - psi	232

CERTIFICATIONS



240

WASHING MACHINE AND DISHWASHER VALVE

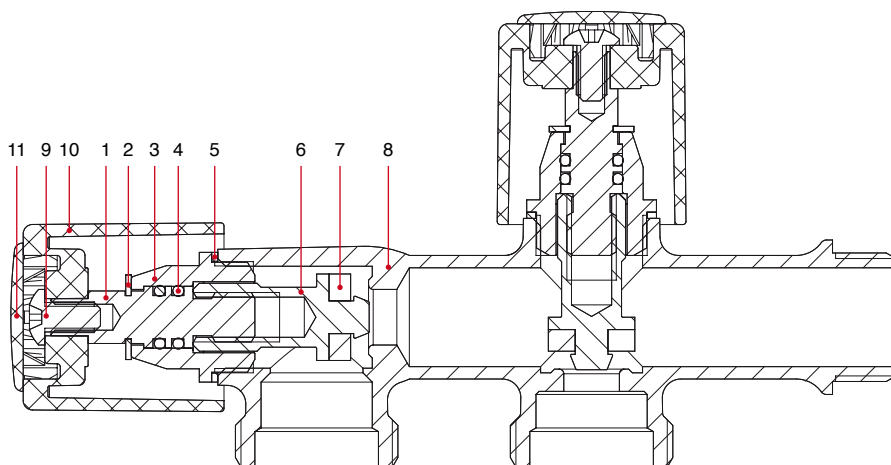


SIZE	PRESSURE	CODE	PACKING
1/2" (DN 15)	16bar/232psi	2400012U	6/78

TECHNICAL SPECIFICATIONS

Available size 1/2"x3/4"x3/4".
 Male thread for washing machine/ dishwasher.
 Body in chrome-plated brass.
 Minimum and maximum working temperatures: 0°C, 80°C.
 Threads ISO228
 (equivalent to DIN EN ISO 228 and BS EN ISO 228).

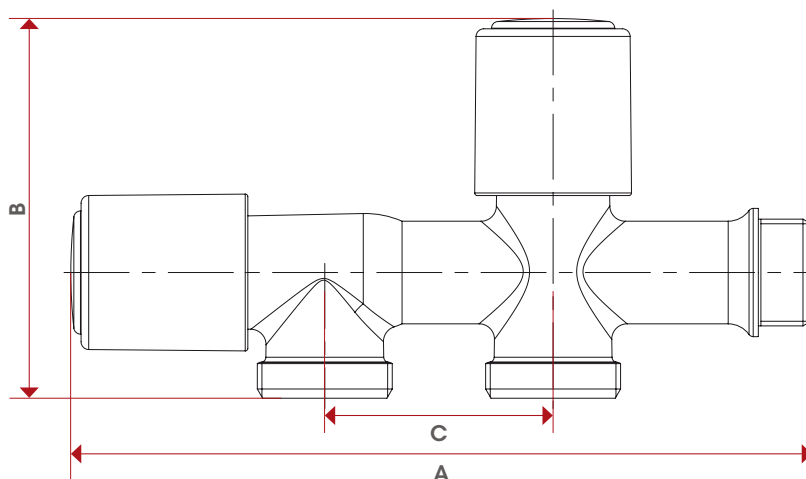
MATERIALS



POS.	DESCRIPTION	N.	MATERIAL
1	Pin	2	Brass CW614N
2	Ring	2	Steel AISI 302
3	Plug	2	Brass CW614N
4	O-Ring	4	NBR
5	Washer	2	Aluminium
6	Screw	2	Brass CW614N
7	Washer	2	NBR
8	Body	1	Chrome-plated brass CW617N
9	Screw	2	Steel Fe
10	Handle	2	ABS
11	Clip	2	ABS



OVERALL
DIMENSIONS



	1/2"
DN	15
A	144,5
B	74
C	44,5
Kg/cm ² bar	16
LBS - psi	232

CERTIFICATIONS



250

WASHING MACHINE VALVE

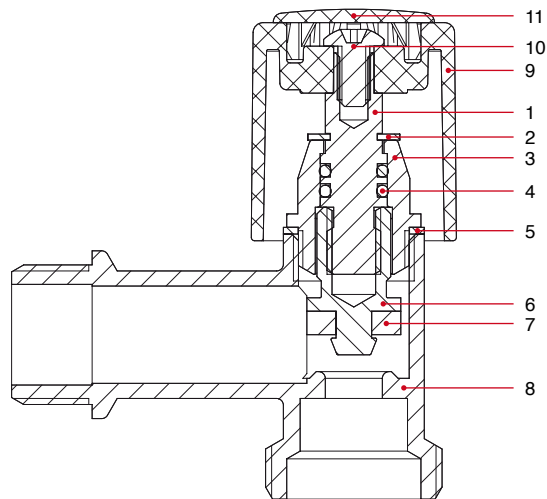


SIZE	PRESSURE	CODE	PACKING
1/2" (DN 15)	16bar/232psi	2500012	12/156

TECHNICAL SPECIFICATIONS

Available size 1/2"x3/4".
 Male thread for washing machine.
 Body in chrome-plated brass.
 Minimum and maximum working temperatures: 0°C, 80°C.
 Threads ISO228
 (equivalent to DIN EN ISO 228 and BS EN ISO 228).

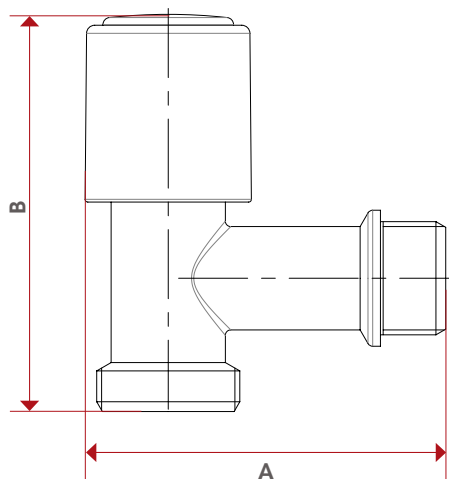
MATERIALS



POS.	DESCRIPTION	N.	MATERIAL
1	Pin	1	Brass CW614N
2	Ring	1	Stainless steel AISI 302
3	Plug	1	Brass CW614N
4	O-Ring	2	NBR
5	Washer	1	Aluminium
6	Screw	1	Brass CW614N
7	Washer	1	NBR
8	Body	1	Chrome-plated brass CW617N
9	Handle	1	ABS
10	Screw	1	Steel Fe
11	Clip	1	ABS



OVERALL DIMENSIONS



	1/2"
DN	15
A	66,3
B	73
Kg/cm ² bar	16
LBS - psi	232

CERTIFICATIONS



255

3-WAY WASHING MACHINE VALVE

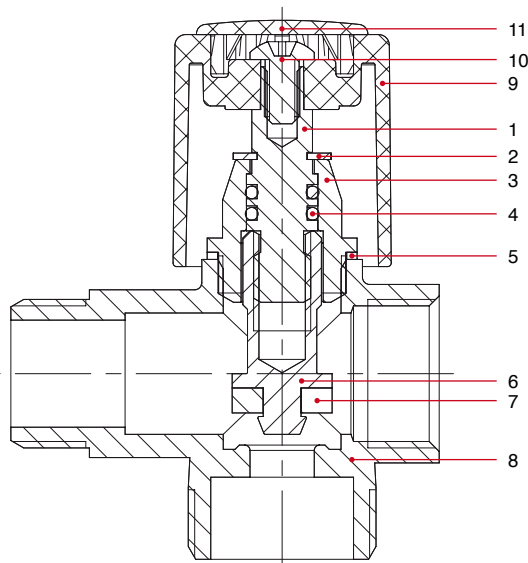


SIZE	PRESSURE	CODE	PACKING
1/2" (DN 15)	16bar/232psi	2550012	10/100

TECHNICAL SPECIFICATIONS

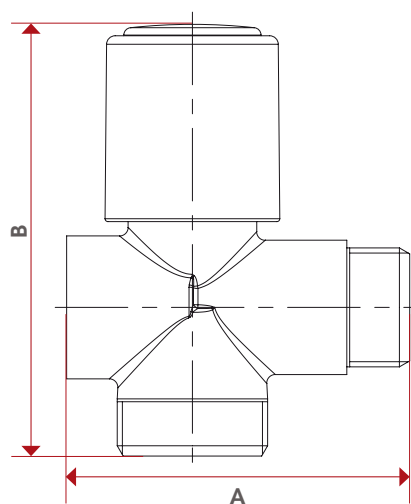
Available size 1/2"x3/4".
Male thread for washing machine.
Body in chrome-plated brass.
Minimum and maximum working temperatures: 0°C, 80°C.
Threads ISO228
(equivalent to DIN EN ISO 228 and BS EN ISO 228).

MATERIALS



POS.	DESCRIPTION	N.	MATERIAL
1	Pin	1	Brass CW614N
2	Ring	1	Stainles steel AISI 302
3	Plug	1	Brass CW614N
4	O-Ring	2	NBR
5	Washer	1	Aluminium
6	Screw	1	Brass CW614N
7	Washer	1	NBR
8	Body	1	Chrome-plated brass CW617N
9	Handle	1	ABS
10	Screw	1	Steel Fe
11	Clip	1	ABS



OVERALL
 DIMENSIONS


	1/2"
DN	15
A	60
B	75,5
Kg/cm ² bar	16
LBS - psi	232

CERTIFICATIONS



390

DRAIN TRAP FOR WASHING MACHINES



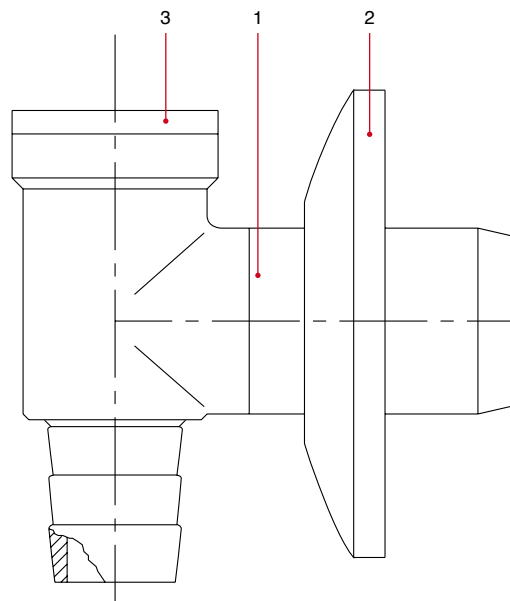
SIZE	PRESSURE	CODE	PACKING
3/4" (DN 20)	16bar/232psi	3900034	6/72

TECHNICAL SPECIFICATIONS

Body in nickel-plated brass.
Cover plate in stainless steel.
Spring in stainless steel.

Minimum and maximum working temperatures: 0°C, 80°C.

MATERIALS

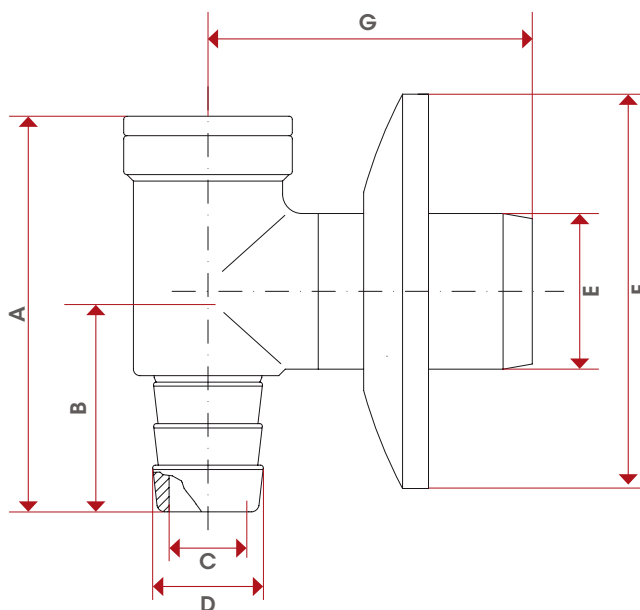


POS.	DESCRIPTION	N.	MATERIAL
1	Body	1	Chrome-plated brass CW617N
2	Cover-plate	1	Stainless steel
3	Cap	1	Chrome-plated brass CW614N
-	4 hole cap	1	POM
-	Spring	1	Stainless steel
-	O-ring	1	NBR



TEC

OVERALL DIMENSIONS



	3/4"
A	89
B	46
C	17,5
D	22
E	32
F	80
G	68
Kg/cm ² bar	16
LBS - psi	232

CERTIFICATIONS



ART. 390

391

WASHING MACHINE BALL VALVE



SIZE	PRESSURE	CODE	PACKING
1/2" (DN 15)	16bar/232psi	3910012	12/192

TECHNICAL SPECIFICATIONS

Metal handle.

Available size: 1/2"x1/2".

Male/male threads.

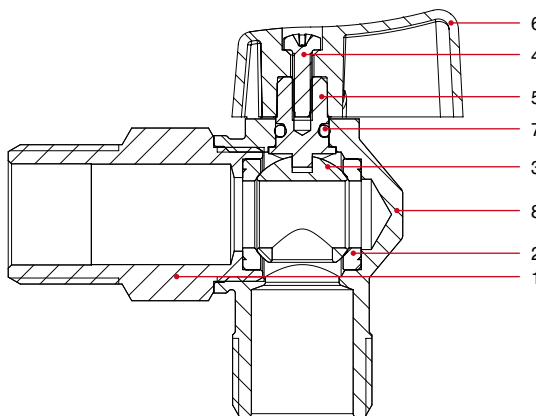
Body in nickel-plated brass.

Minimum and maximum working temperatures:

0°C, 110°C in absence of steam.

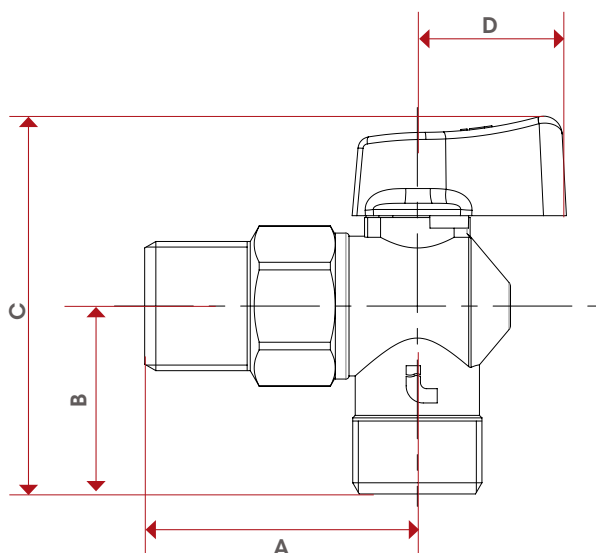
Threads ISO228 (equivalent to DIN EN ISO 228 and BS EN ISO 228).

MATERIALS



POS.	DESCRIPTION	N.	MATERIAL
1	End adapter	1	Nickel-plated brass CW617N
2	Seat	2	P.T.F.E.
3	Ball	1	Chrome-plated brass CW614N
4	Screw	1	Zinc-plated steel Fe
5	Stem	1	Brass CW614N
6	Handle	1	Zinc-plated aluminium ZnAl4 (Zamak 3)
7	O-ring	1	NBR
8	Body	1	Nickel-plated brass CW617N



OVERALL
 DIMENSIONS


	1/2"
DN	15
A	44
B	30
C	61
D	24
Kg/cm ² bar	16
LBS - psi	232

CERTIFICATIONS



392

WASHING MACHINE BALL VALVE



SIZE	PRESSURE	CODE	PACKING
1/2" (DN 15)	16bar/232psi	3920012	10/160

TECHNICAL SPECIFICATIONS

Metal handle.

Available size: 1/2"x3/4".

Male/male thread.

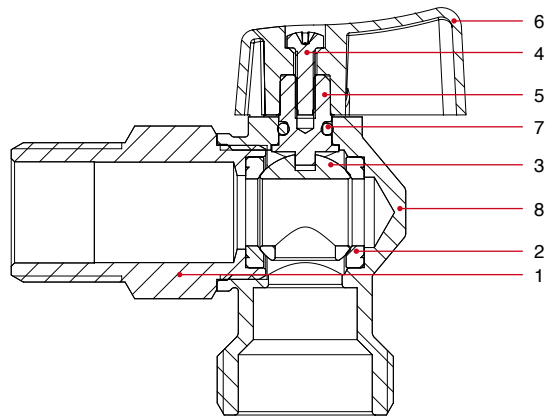
Body in nickel-plated brass.

Minimum and maximum working temperatures: 0°C, 110°C in absence of steam.

Threads ISO228 (equivalent to DIN EN ISO 228 and BS EN ISO 228).

Available also with NPT thread.

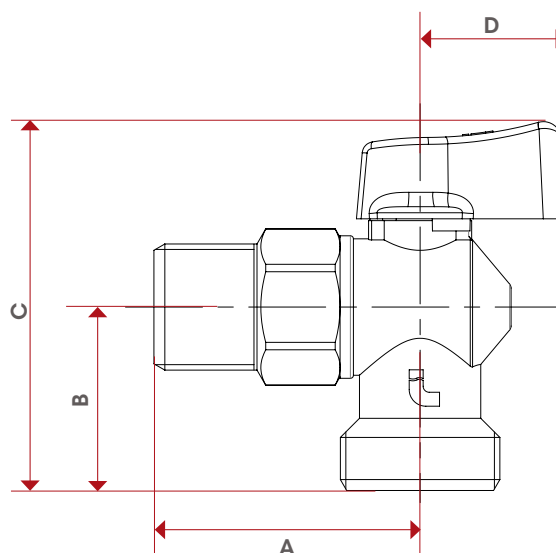
MATERIALS



POS.	DESCRIPTION	N.	MATERIAL
1	End adapter	1	Nickel-plated brass CW617N
2	Seat	2	P.T.F.E.
3	Ball	1	Chrome-plated brass CW614N
4	Screw	1	Zinc-plated steel Fe
5	Stem	1	Brass CW614N
6	Handle	1	Zinc-plated aluminium ZnAl4 (Zamak 3)
7	O-ring	1	NBR
8	Body	1	Nickel-plated brass CW617N



OVERALL DIMENSIONS



	1/2"
DN	15
A	44
B	30
C	61
D	24
Kg/cm ² bar	16
LBS - psi	232

CERTIFICATIONS



488

RUBINETTO
A SQUADRA



SIZE	PRESSURE	CODE	PACKING
1/2" (DN 15)	16bar/232psi	4880012	10/240

TECHNICAL SPECIFICATIONS

Available size: 1/2"x1/2".

Male thread.

Body in chrome-plated brass.

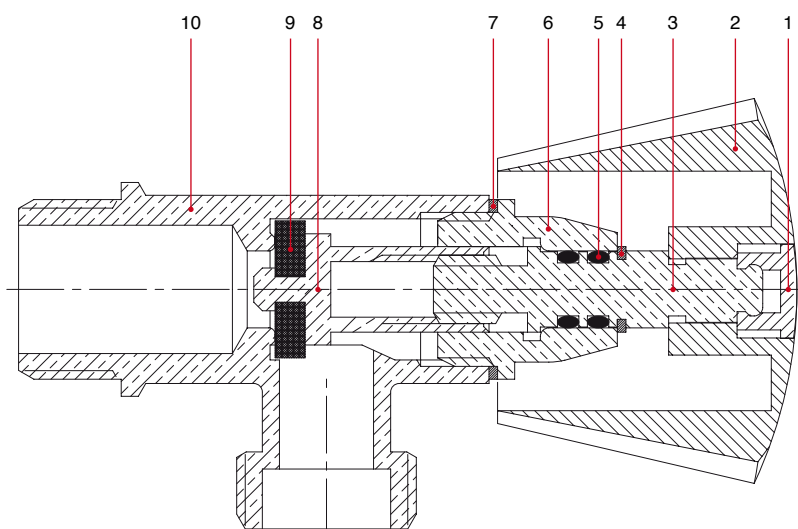
Handle in chrome-plated ABS.

Minimum and maximum working temperatures: 0°C, 80°C.

Threads ISO228

(equivalent to DIN EN ISO 228 and BS EN ISO 228).

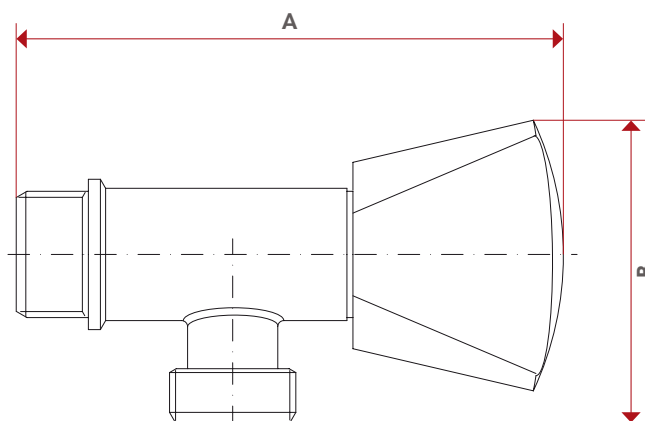
MATERIALS



POS.	DESCRIPTION	N.	MATERIAL
1	Handle clip	1	ABS
2	Handle	1	Chrome-plated ABS
3	Bonnet	1	Brass CW614N
4	Ring	1	Steel
5	O-Ring	2	NBR
6	Plug	1	Brass CW614N
7	Washer	1	Aluminium
8	Screw	1	Brass CW614N
9	Washer	1	NBR
10	Body	1	Chrome-plated brass CW617N



OVERALL DIMENSIONS



	1/2"
A	82
B	47
Kg/cm ² bar	16
LBS - psi	232

CERTIFICATIONS



706

WASHING MACHINE BALL VALVE



SIZE	PRESSURE	CODE	PACKING
1/2" (DN 15)	8bar/116psi	7060012	10/180

TECHNICAL SPECIFICATIONS

Available size: 1/2"x3/4". Male/male thread.

Body in chrome-plated brass.

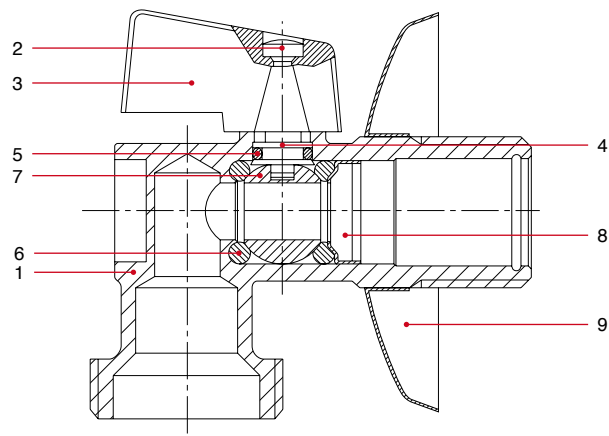
Cover plate in stainless steel.

Minimum and maximum working temperatures: 0°C, 80°C.

Threads ISO228

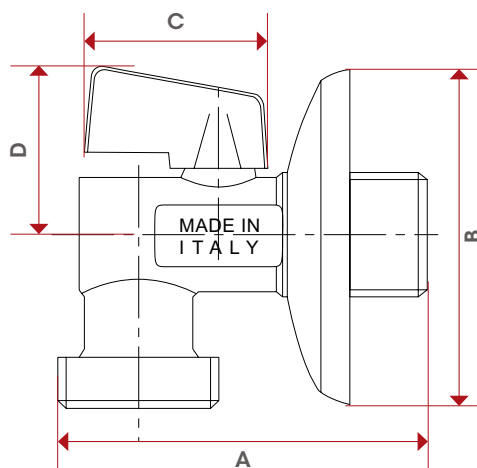
(equivalent to DIN EN ISO 228 and BS EN ISO 228).

MATERIALS



POS.	DESCRIPTION	N.	MATERIAL
1	Body	1	Nickel-plated brass CW617N
2	Screw	1	Zinc-plated steel Fe
3	Lever handle	1	Zamak
4	Stem	1	Brass CW614N
5	O-ring	1	NBR
6	O-ring	2	NBR
7	Ball	1	Chrome-plated brass CW617N
8	Disc	1	Brass CW614N
9	Cover-plate	1	Stainless steel AISI 430



OVERALL
 DIMENSIONS


	1/2"
DN	15
A	60
B	55
C	30
D	27,6
Kg/cm ² bar	8
LBS - psi	116

CERTIFICATIONS





NOTES

A series of horizontal dashed lines for taking notes, starting from the top right of the 'NOTES' header and extending down the page.



ITAP S.p.A.
Via Ruca 19
25065 Lumezzane
Brescia (ITALIA)
Tel 030 89270
Fax 030 8921990
www.itap.it - info@itap.it